



Product Introduction

The pyranometer is composed of two parts: the pyranometer and the shading ring.

The function of the shading ring is to ensure that the direct radiation of the sun can be continuously blocked from sunrise to sunset.

The shading ring is composed of a shading ring, a ruler, a screw adjusting screw, a bracket, and a chassis.

The shading ring has a width of 65mm and a diameter of 400mm, which is fixed on the screw adjustment screw of the scale, and the scale is engraved with latitude and declination scales.

The ruler and bracket are fixed on the chassis and should be fixed according to the geographic latitude of the shooting site. It can be widely used in meteorological stations and scientific research departments to continuously measure the scattered radiation intensity of the sky.

Technical Parameters

Spectral range: 0.3-3 μ m

Measuring range: 0~2000W/m²

Other

Power supply mode: DC 5V

DC 12V

DC 24V

other

Output form:

Voltage: 0~2.5V

other

Instrument cable length: Standard configuration: 2.5 meters

Other

Load capacity: current output impedance
RL \leq 300 Ω

Voltage type output impedance

RL \geq 1K Ω

Sensitivity: 7-14 μ V/W.m⁻²

Response time: <35S (99 % response)

Annual stability: no more than \pm 2%

Cosine response: no more than \pm 7% (when the sun altitude angle is 10 $^{\circ}$)

Azimuth: no more than \pm 5% (when the sun's altitude angle is 10 $^{\circ}$)

Non-linearity: no more than \pm 2%

Temperature coefficient: no more than \pm 2%
(-10-40 $^{\circ}$ C)

Latitude scale range: 0~50 $^{\circ}$

Declination range: \pm 25 $^{\circ}$

Belt diameter: Φ 400

Weight: 15kg

Working environment: temperature -50 $^{\circ}$ C~85 $^{\circ}$ C
Humidity \leq 100%RH

Calculation formula

Voltage type (0~2.5V):

$$F=(V/2.5)*2000$$

F: radiation value, unit W/m², V: output voltage, unit V, radiation test range 0~2000W/m²

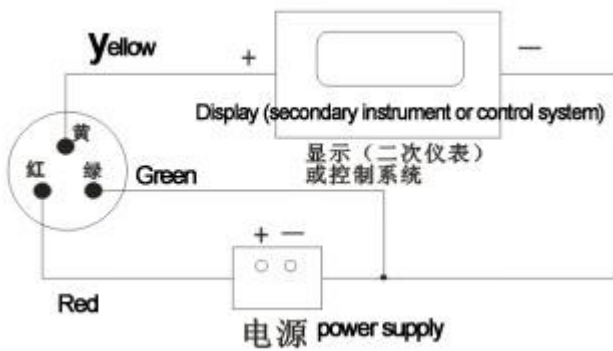
Connection method

(1) If equipped with a weather station produced by our company, directly use the sensor line to connect the sensor to the corresponding interface on the weather station.

(2) If the transmitter is purchased separately, the wiring sequences of the transmitter supporting lines are as follows:

Line color	Output Signal		
	Voltage		
Red	+		
Black (Green)	-		
Yellow	Voltage signal		
Blue			

(3) Pulse voltage and current two output wiring methods:

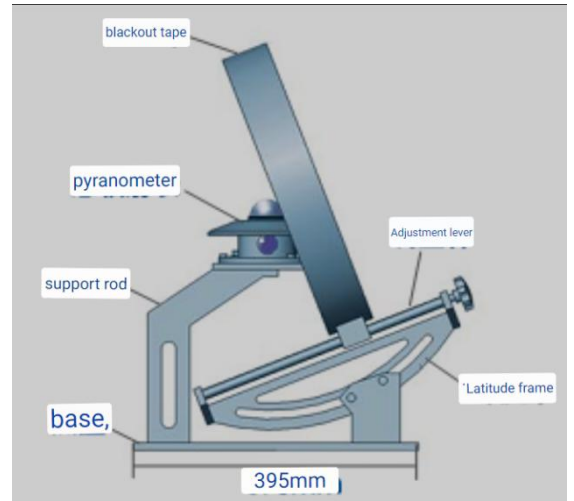


(voltage, pulse mode wiring)

Structural Dimensions

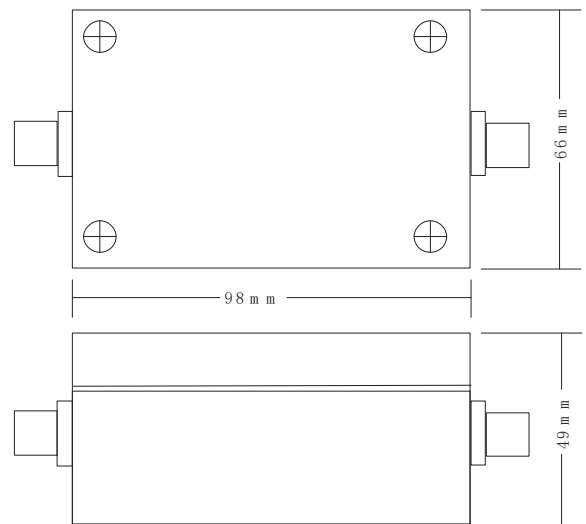


Shading Ring Dimensions



Function diagram

Transmitter Dimensions



Installation Method

1. The installation conditions of the pyranometer are the same as those of the pyranometer. Since the shading ring is heavy and the chassis is large, the instrument should be placed more firmly;
2. Install the shading ring frame on the observation platform first. The direction and level of the shading ring are very important. Therefore, when the shading ring is installed on the platform, the edge of the chassis must be aligned with the north-south direction, so that the instrument scale points to the true

- north-south (shading ring). The ring screw adjustment knob handle faces north). Then fix the bottom plate of the light-shielding ring on the observation bracket with bolts;
3. Fix the ruler position according to the local geographic latitude;
 4. Install the pyranometer horizontally on the platform in the shading ring, so that the output head faces north, and its position should be just so that the blackened sensing surface of the pyranometer is located in the center of the shading ring. Adjust the pyranometer level and fix it;
 5. Adjust the shading ring to the corresponding position according to the solar declination of the day. Make the shading ring completely cover the sensing surface and glass cover of the pyranometer;
 6. The output line of the master meter is connected to the recorder;
 7. Use and maintenance of the pyranometer The use and maintenance of the pyranometer is the same as that of the pyranometer. When observing scattered radiation, turn the screw before sunrise. The screw rod is used to adjust the knob, and the shading ring is adjusted to the corresponding position of the scale according to the day's declination (sometimes once every few days), so that the shading ring can cover the direct radiation of the sun throughout the day. Check once a day in the morning and afternoon to check whether the shadow of the shading ring completely covers the sensing surface and the glass cover of the instrument, otherwise it should be adjusted in time;
 8. Always keep the parts of the shading ring clean and the rotation of the screw rod flexible. When you find that the screw is dusty or the rotation is not flexible, especially after the wind and sand, wipe the screw with gasoline or alcohol. If it is not used for a long time, the shading ring should be removed or covered with a cover to avoid corrosion of the

screw rod and related parts.

Notice

1. Please check whether the packaging is in good condition, and check whether the product model is consistent with the selected model;
2. Do not wire with power on. Only after the wiring is completed and checked are correct, can the power be turned on;
3. The length of the sensor wire will affect the output signal of the product. When using it, do not change the components or wires that have been welded when the product leaves the factory. If you need to change it, please contact the manufacturer;
4. The sensor is a precision device. When using it, please do not disassemble it by yourself, or touch the surface of the sensor with sharp objects or corrosive liquids, so as not to damage the product;
5. The pyranometer working continuously should be checked at least once a day, and the content of the inspection mainly depends on whether the glass cover is broken. In case of freezing snow, frost, dew, etc., try to gently remove these deposits. In addition, you should regularly check the level, whether the desiccant is effective, whether there is moisture in the cover, etc.;
6. Please keep the verification certificate and qualification certificate, and return it with the product when repairing.

Troubleshoot

1. During analog output, the displayed value is obviously too large/small. Please check whether there is any dirt such as oil on the glass cover, and wipe it off with a clean rag;
2. During analog output, the display shows that the value is 0 or not within the range. The collector may not be able to obtain information correctly due to wiring problems. Please check whether the wiring is correct and firm;

3. If it is not the above reasons, please contact the manufacturer.

Contact Us

Contact: +8615367865107/+8618073152920

Zip code: 421000

Email: sales@niubol.com

Website: <http://www.niubol.com>

Address: Room 103, Area D, Houhu Industrial
Park, Yuelu District, Changsha City, Hunan
Province, China